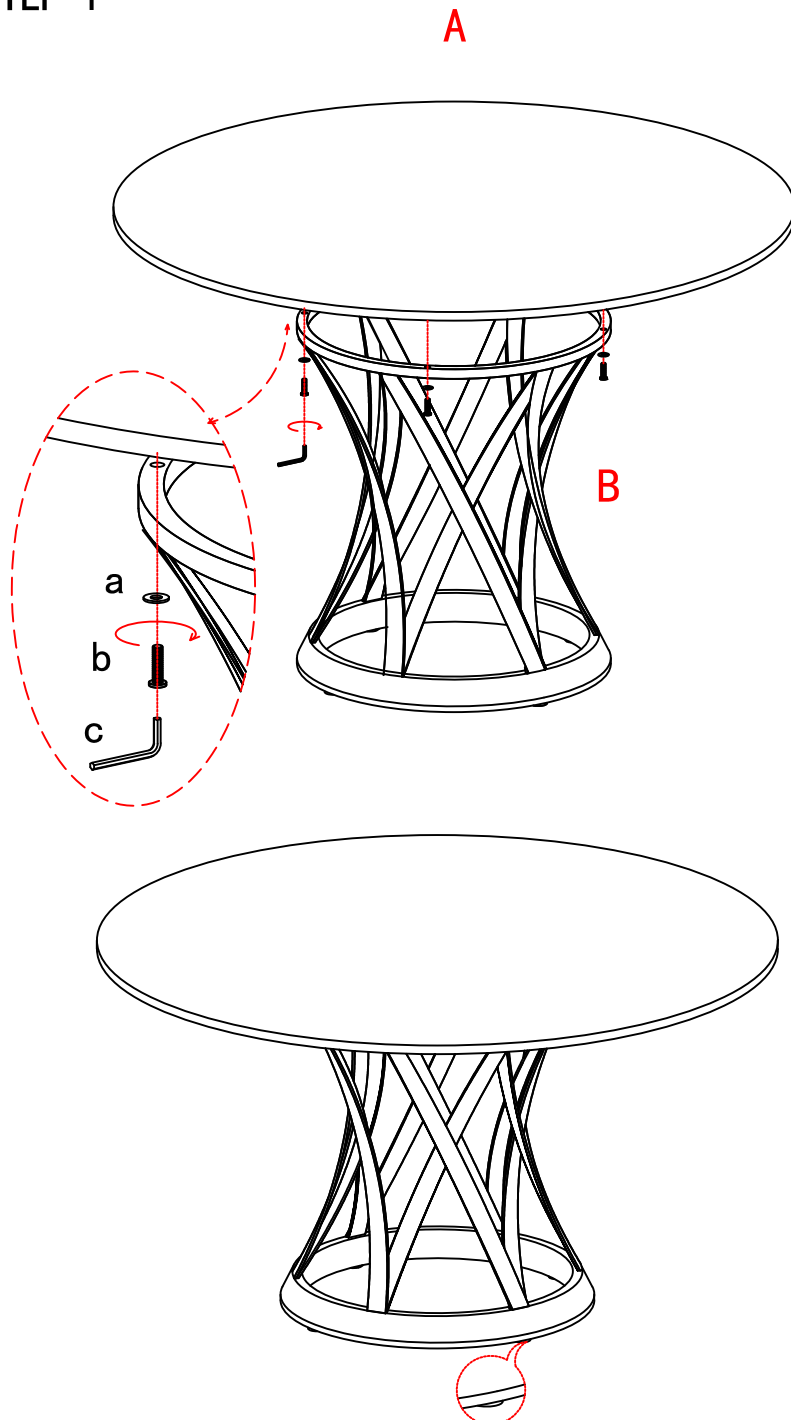




Thank you for purchasing this quality product. Be sure to check all packing material carefully for small parts that may have come loose inside the carton during transit

STEP 1



PART LIST

NO	DESC	SIZE (MM)	SKETCH	QTY
A	TOP	φ1350X18		1pcs
B	BASE	φ622X715		1pcs

HARDWARE LIST

NO	DESC	SIZE (MM)	SKETCH	QTY
a	FLAT WASHER	φ19Xφ8 X1.6		4pcs
b	SCREW	M8X30		4pcs
c	ALLEN KEY	M6		1pcs